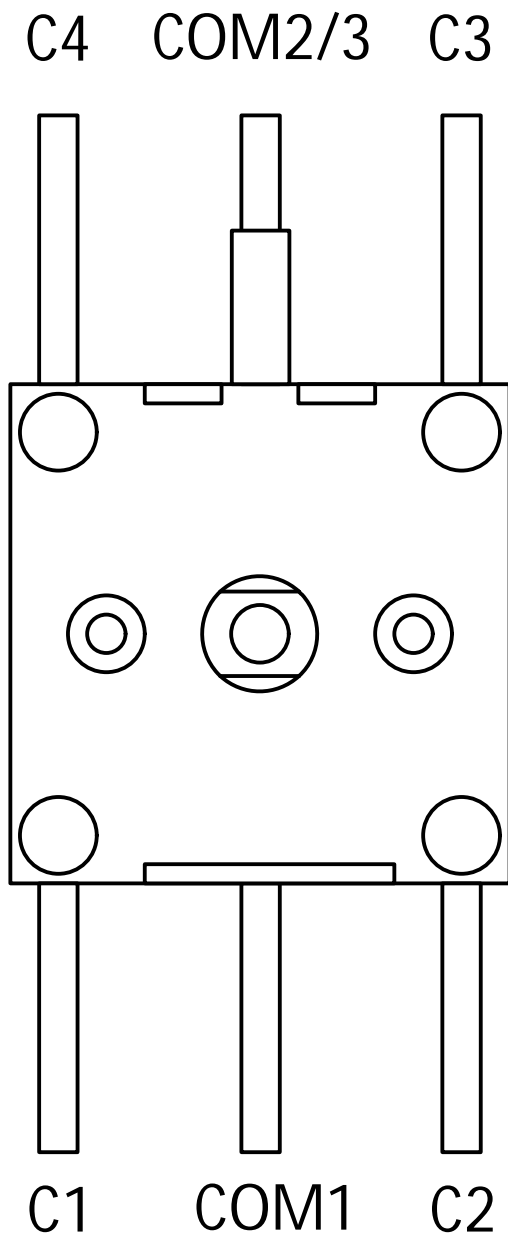
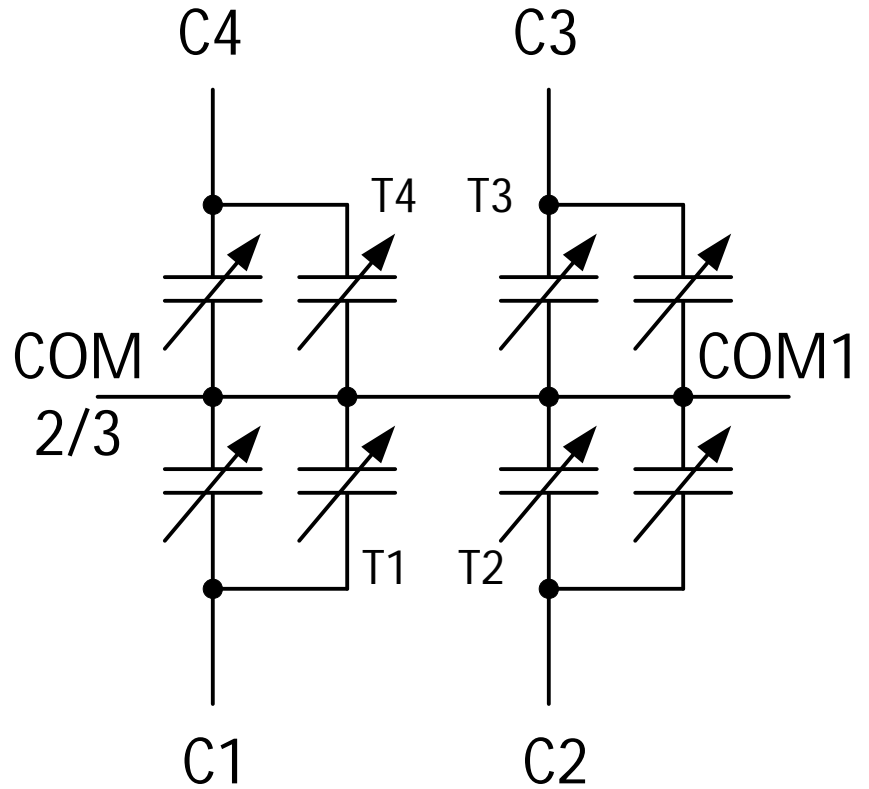


Variable Capacitor Pinout

Front



Schematic



C1 – 5pF to 135pF

T1 – 1pF to 10pF

C2 – 5pF to 135pF

T2 – 1pF to 10pF

C3 – 5pF to 25pF

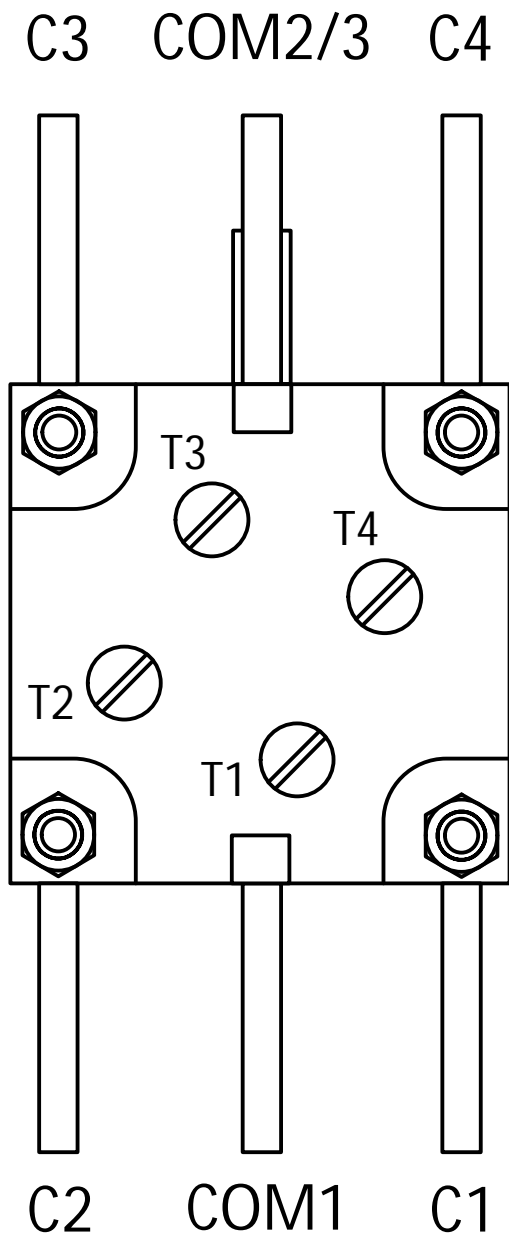
T3 – 1pF to 10pF

C4 – 5pF to 25pF

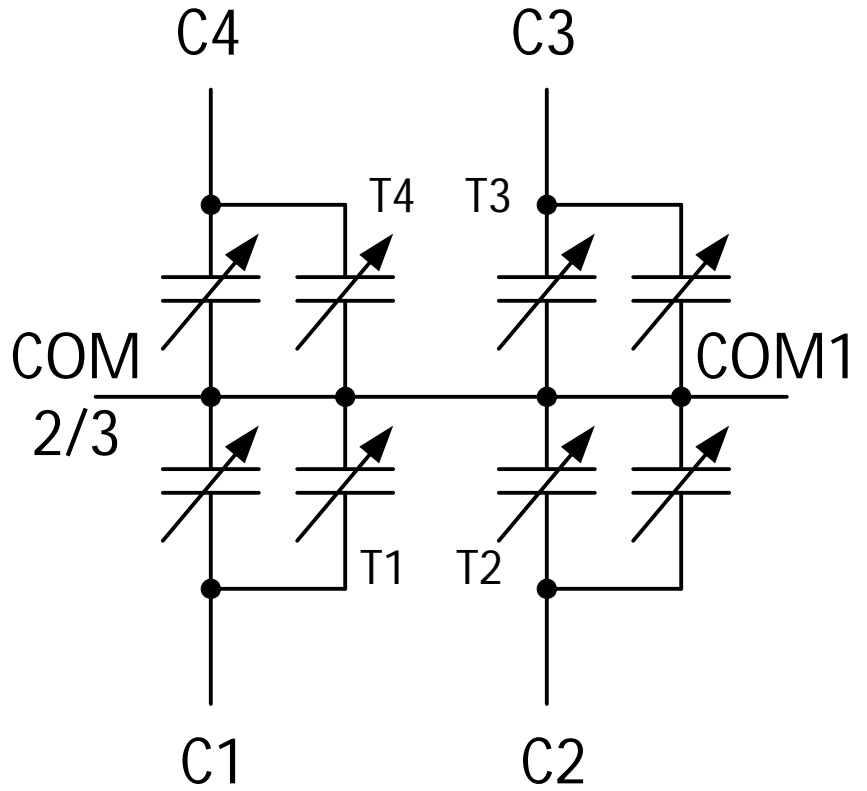
T4 – 1pF to 10pF

Variable Capacitor Pinout

Back



Schematic



C1 – 5pF to 135pF

C2 – 5pF to 135pF

C3 – 5pF to 25pF

C4 – 5pF to 25pF

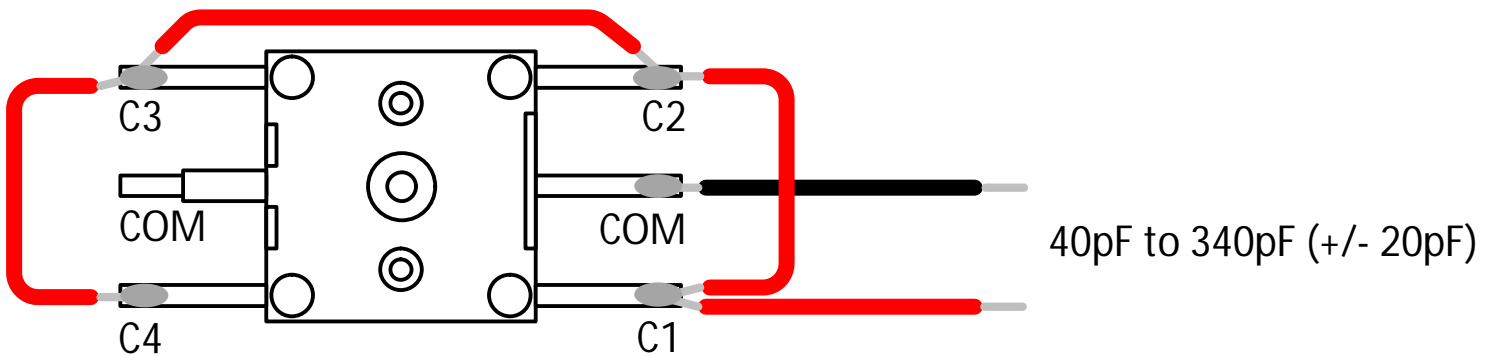
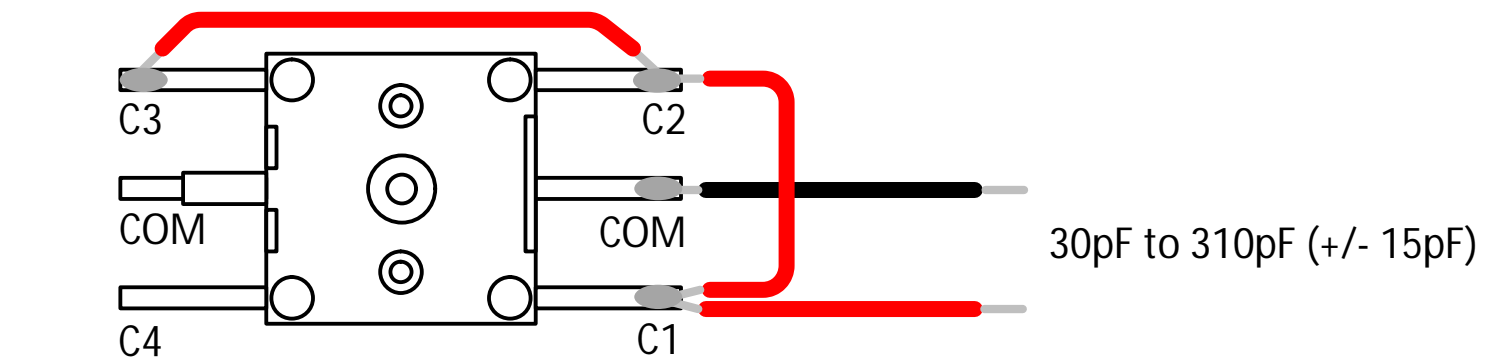
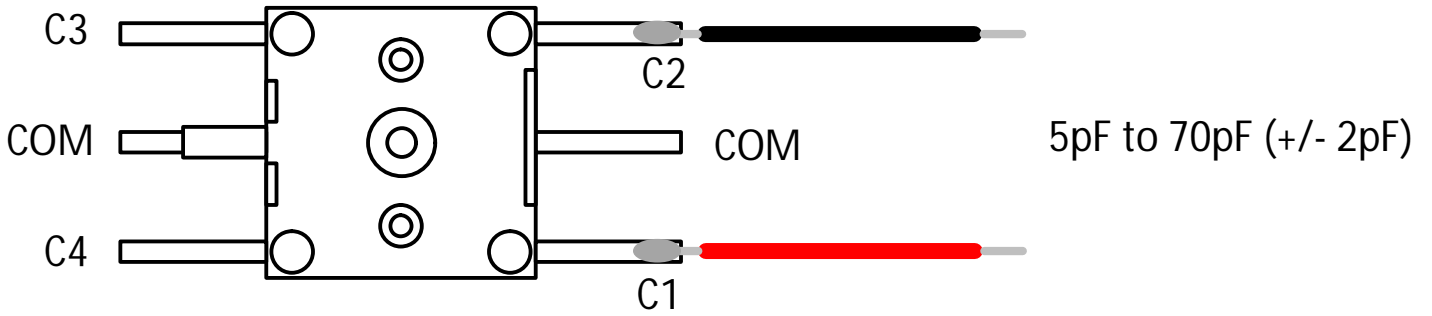
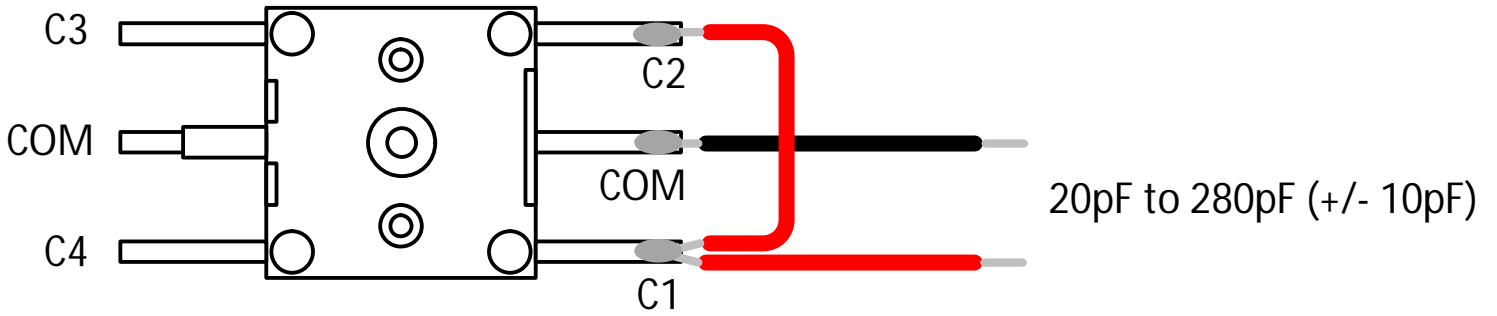
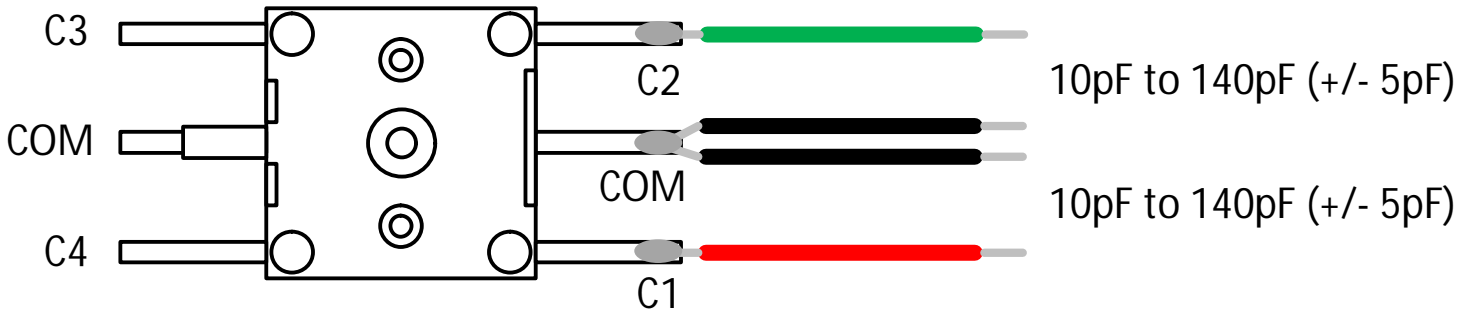
T1 – 1pF to 10pF

T2 – 1pF to 10pF

T3 – 1pF to 10pF

T4 – 1pF to 10pF

Variable Capacitor Ranges



Variable Capacitor Ranges

