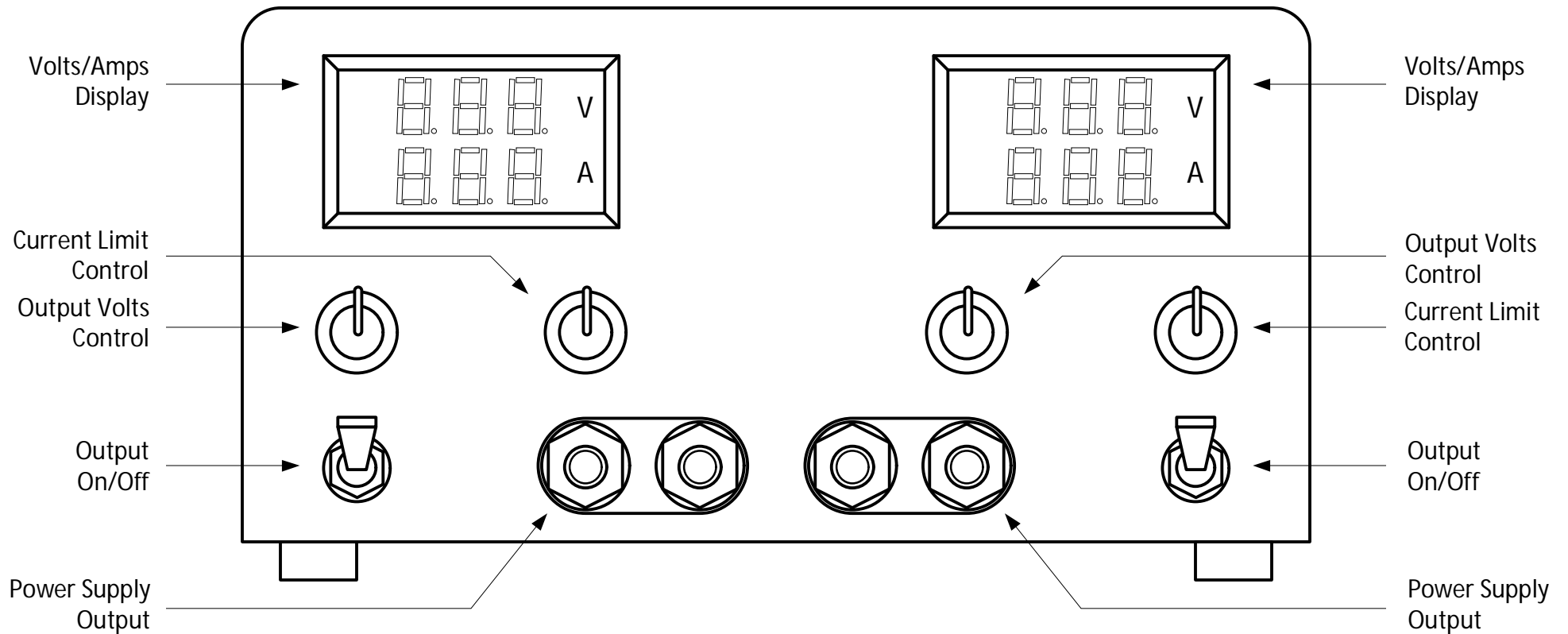


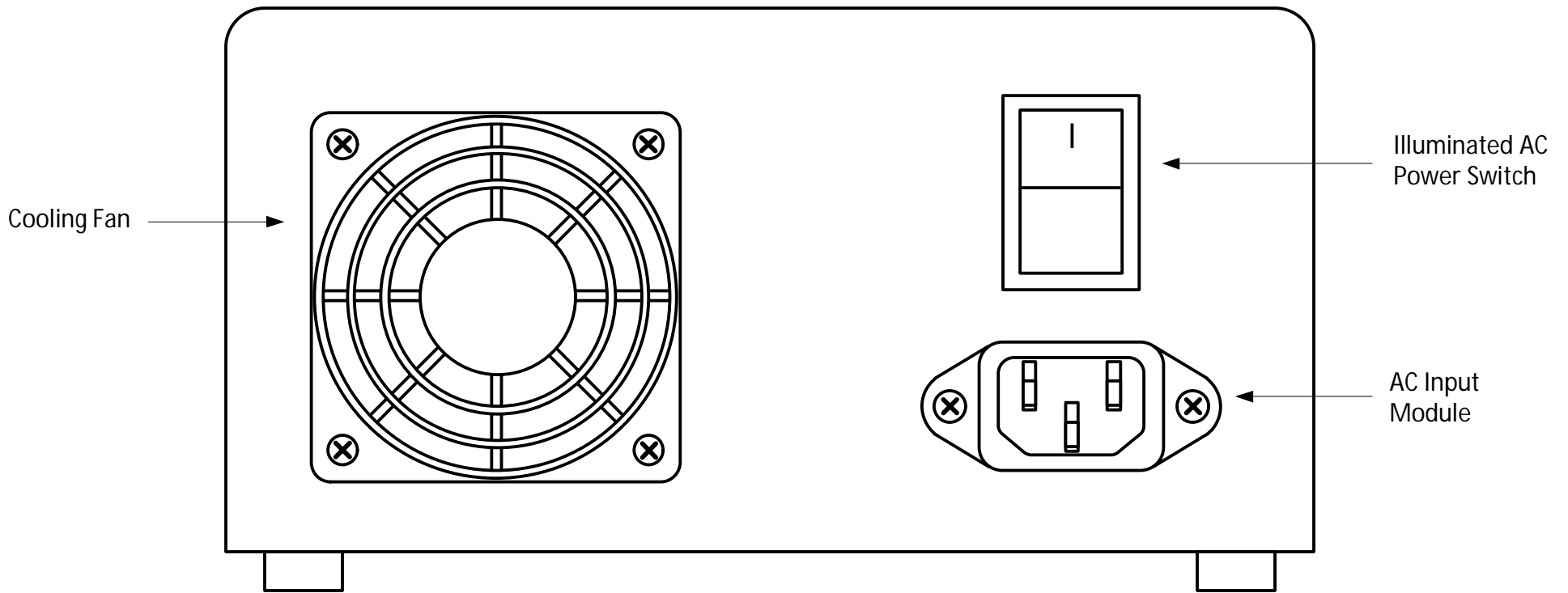
Power Supply 1

Power Supply 2



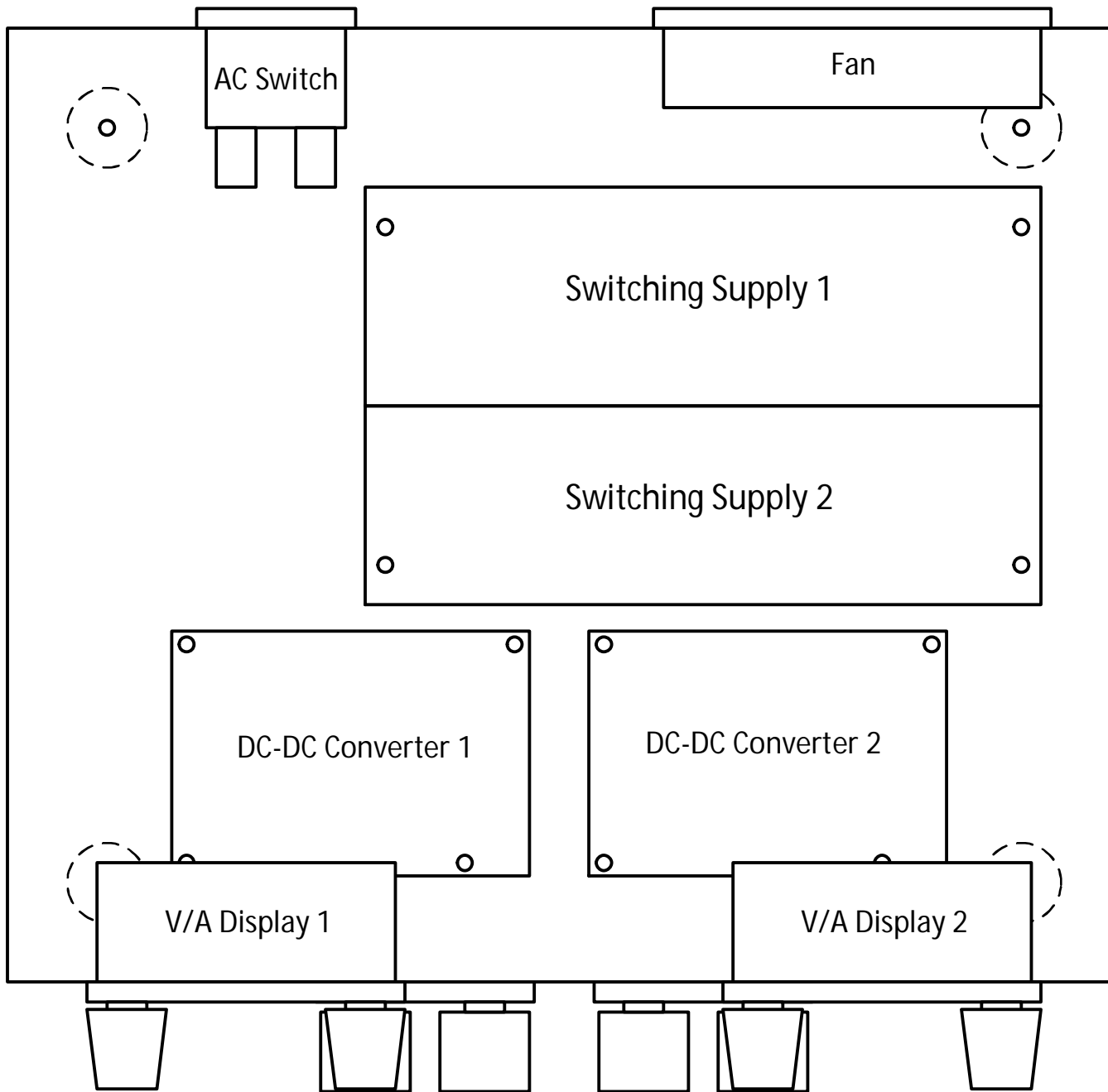
Specifications:    Variable Voltage            1V – 20V (each supply)  
                           Variable Current Limit        0.1A – 2A (each supply)  
                           Line Regulation                0.5% Full Load  
                           Load Regulation               0.001% Full Range  
                           Full Load Ripple               20mV RMS, 100mVpp

Title: Power Supply Front Panel Controls	
Drawn By: Jerry Davis	Revision: A
Date: 08/26/2015	Project: SWPS-01A
Review:	Drawing: 1 of 7

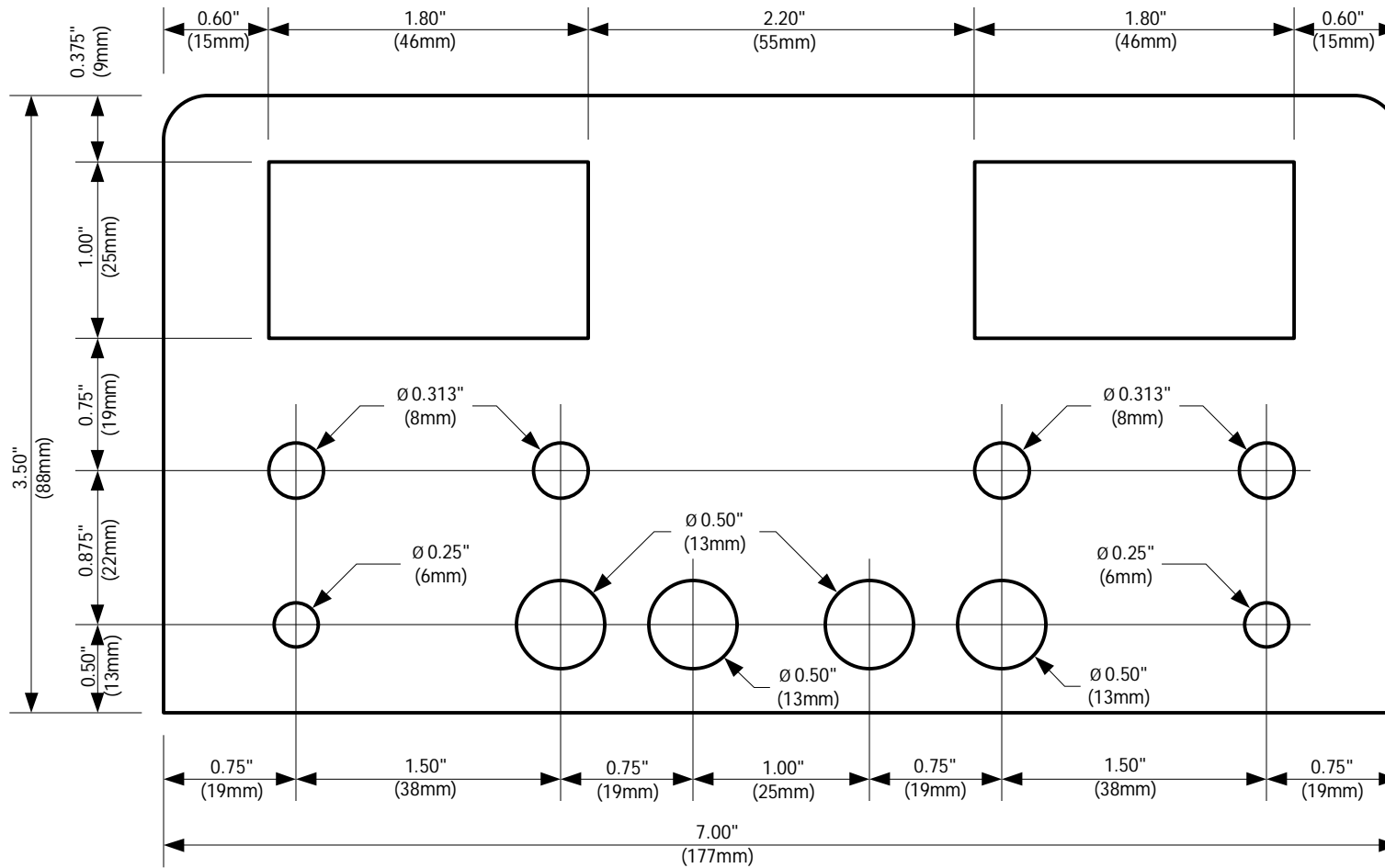


Specifications:    Variable Voltage            1V – 20V (each supply)  
                          Variable Current Limit    0.1A – 2A (each supply)  
                          Line Regulation            0.5% Full Load  
                          Load Regulation         0.001% Full Range  
                          Full Load Ripple         20mV RMS, 100mVpp

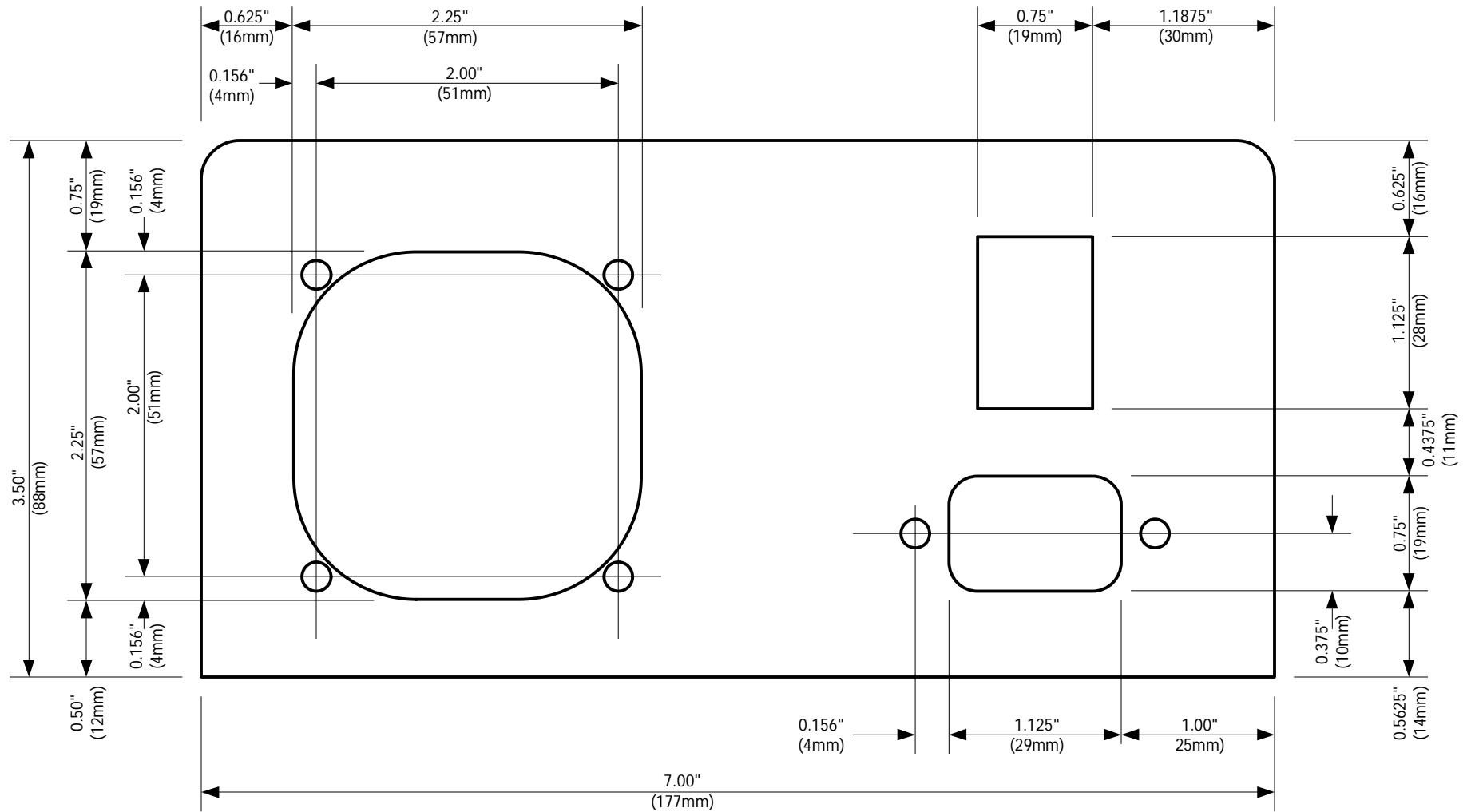
Title: Power Supply Back Panel	
Drawn By: Jerry Davis	Revision: A
Date: 08/26/2015	Project: SWPS-01A
Review:	Drawing: 2 of 7



Review:

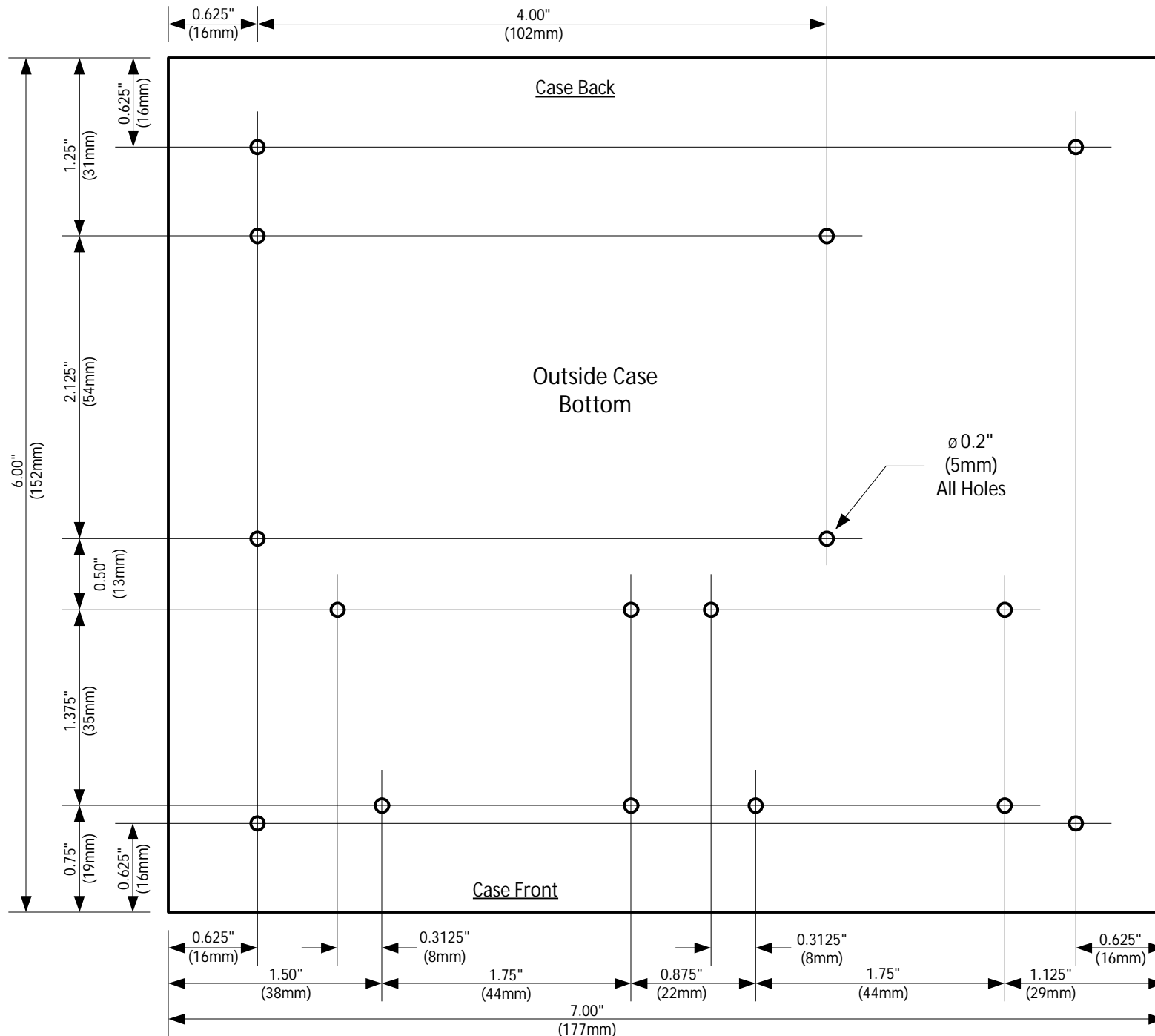


Title: Power Supply Front Panel	
Drawn By: Jerry Davis	Revision: A
Date: 08/26/2015	Project: SWPS-01A
Review:	Drawing: 4 of 7



Note: Back panel layout was designed by IAASR. I've illustrated it in the documentation set for convenience.

Title: Power Supply Back Panel	
Drawn By: Jerry Davis	Revision: A
Date: 08/26/2015	Project: SWPS-01A
Review:	Drawing: 5 of 7



Review:

Title: Power Supply Bottom Panel

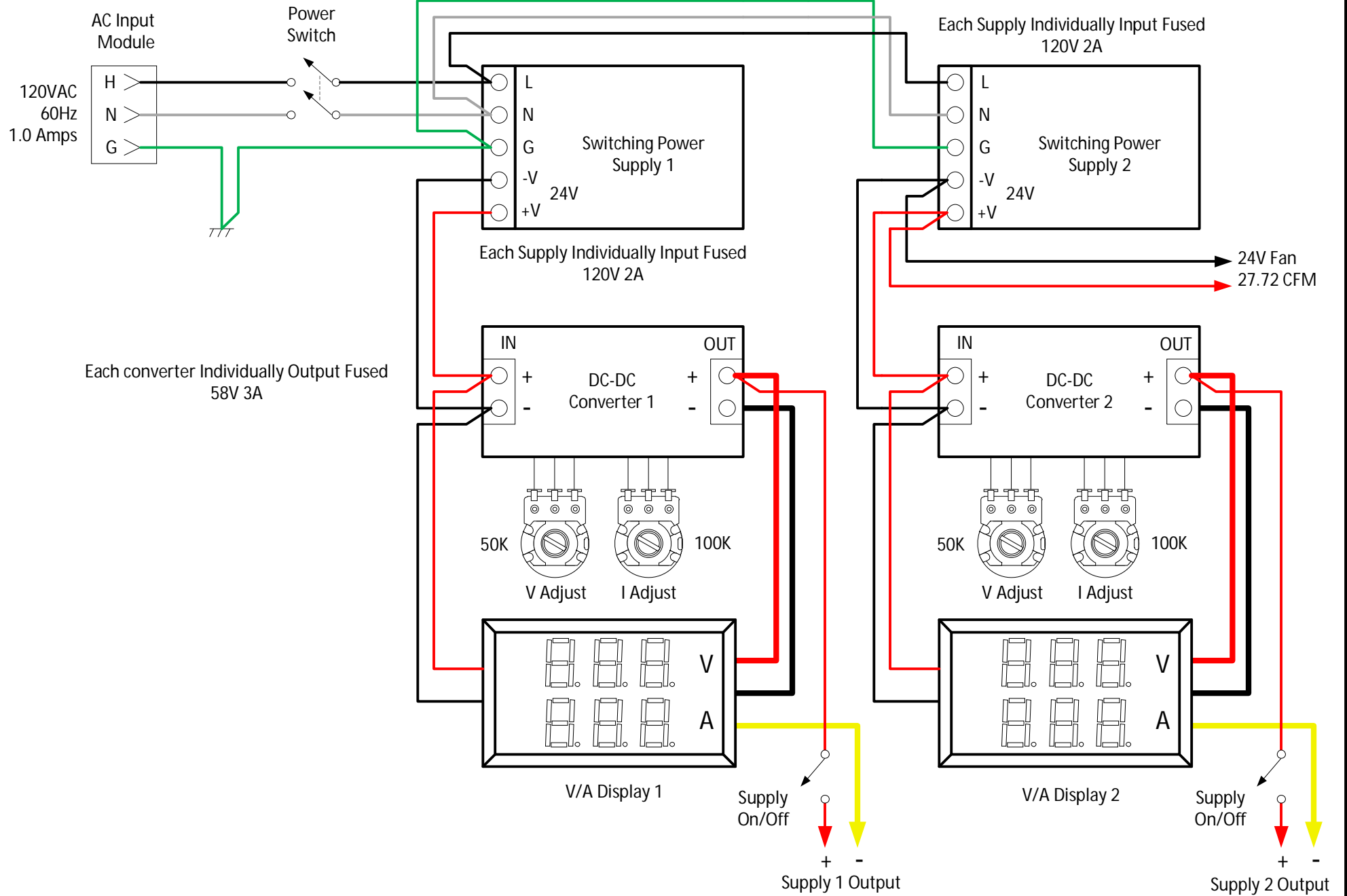
Revision: A

Drawn By: Jerry Davis

Date: 08/26/2015

Project: SWPS-01A

Drawing: 6 of 7



Review:

Supplier	Supplier Part Number	Component Type	Quantity	Cost	Ext
IASSR	--	Medium Electronics Enclosure with Ac Port,power Switch and Fan 7x6.5x3.5 Blue	1	\$ 47.99	\$ 47.99
Reyed	--	Universal Regulated Switching Power Supply, 24V 2A	2	\$ 8.00	\$ 16.00
Drok	--	DC/DC Synchronous Boost Buck Converter	2	\$ 24.18	\$ 48.36
Drok	--	Digital Multimeter DC 0-100V 0-2A	2	\$ 11.79	\$ 23.58
Vktech	--	Terminal Binding Post Power Amplifier Dual 2-way Banana Plug Jack	2	\$ 0.99	\$ 1.98
Mouser	858-P160KNP0QD20B50K	50K 16mm Potentiometer	2	\$ 0.82	\$ 1.64
Mouser	858-P160KNP0D20B100K	100K 16mm Potentiometer	2	\$ 0.72	\$ 1.44
Mouser	450-1C618	T18 Knurled Shaft Instrument Control Knob BLK/RED	2	\$ 0.53	\$ 1.06
Mouser	450-3C618	T18 Knurled Shaft Instrument Control Knob BLK/BLU	2	\$ 0.44	\$ 0.88
Mouser	534-3367	#2 .062 Fiber Washer	16	\$ 0.08	\$ 1.28
Mouser	563-F-7264-A	.75" Plastic Foot	4	\$ 0.60	\$ 2.40
Mouser	1055-TA2120B-EVX	SPST 2-Pin Toggle Switch, Flat Lever	2	\$ 2.65	\$ 5.30
Mouser	576-0997003.WXN	Automotive Fuses 58V 3A	2	\$ 0.86	\$ 1.72
Misc	--	Miscellaneous cable ties, screws, nuts, washers.	1	\$ 5.00	\$ 5.00
		<b>Total</b>			<b>\$ 158.63</b>