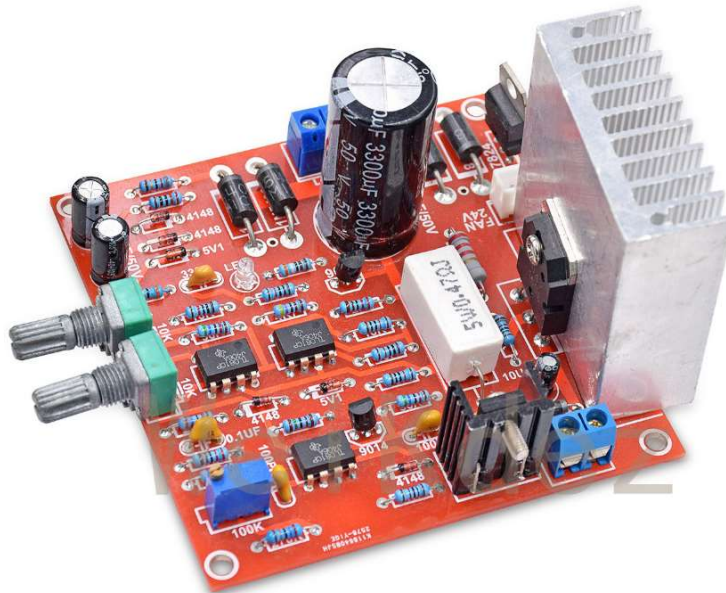


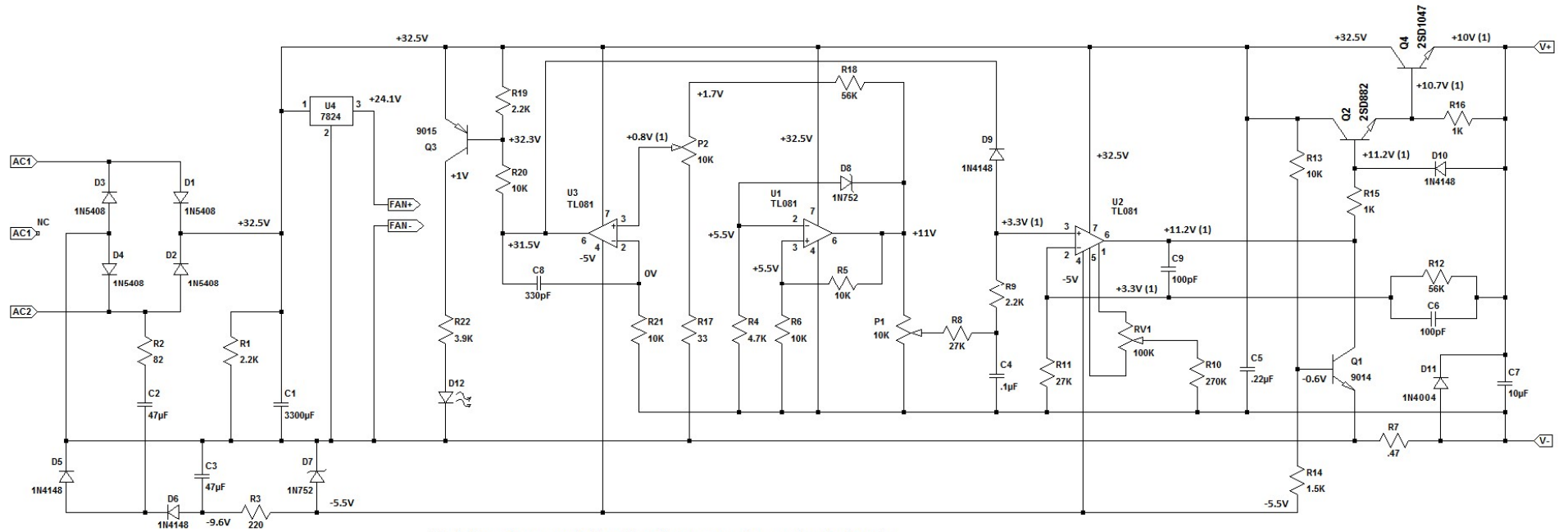
## WeiKedz 0-30V 2mA-3A Adjustable DC Regulated Power Supply DIY Kit Component Parts List



Ref	Part Description	Ref	Part Description
R1	2.2K Ohm 1W 10% Resistor	R16	1K Ohm 1/4W 1% Resistor
R2	82 Ohm 1/4W 1% Resistor	R17	33 Ohm 1/4W 1% Resistor
R3	220 Ohm 1/4W 1% Resistor	R18	56K Ohm 1/4W 1% Resistor
R4	4.7K Ohm 1/4W 1% Resistor	R19	2.2K Ohm 1/4W 1% Resistor
R5	10K Ohm 1/4W 1% Resistor	R20	10K Ohm 1/4W 1% Resistor
R6	10K Ohm 1/4W 1% Resistor	R21	10K Ohm 1/4W 1% Resistor
R7	0.47 Ohm 5W 5% Resistor	R22	3.9K Ohm 1/4W 1% Resistor
R8	27K Ohm 1/4W 1% Resistor	RV1	100K Ohm 1/2W 10% Trimmer Resistor
R9	2.2K Ohm 1/4W 1% Resistor	P1	10K Ohm 1/2W 10% Potentiometer
R10	270K Ohm 1/4W 1% Resistor	P2	10K Ohm 1/2W 10% Potentiometer
R11	27K Ohm 1/4W 1% Resistor	C1	3300uF 50V Electrolytic Capacitor
R12	56K Ohm 1/4W 1% Resistor	C2	47uF 50V Electrolytic Capacitor
R13	10K Ohm 1/4W 1% Resistor	C3	47uF 50V Electrolytic Capacitor
R14	1.5K Ohm 1/4W 1% Resistor	C4	100nF 50V Multi-Layer Capacitor
R15	1K Ohm 1/4W 1% Resistor	C5	220nF 50V Multi-Layer Capacitor

<b>Ref</b>	<b>Part Description</b>	<b>Ref</b>	<b>Part Description</b>
C6	100pF 50V Multi-Layer Capacitor	Q4	2SD1047 NPN High Power Transistor
C7	10uF 50V Electrolytic Capacitor	U1	TL081 Opamp IC
C8	330pF 50V Multi-Layer Capacitor	U2	TL081 Opamp IC
C9	100pF 50V Multi-Layer Capacitor	U3	TL081 Opamp IC
D1	1N5408 100V 3A Rectifier	U4	7824 +24V Regulator IC
D2	1N5408 100V 3A Rectifier	J1	3-Position Terminal Strip
D3	1N5408 100V 3A Rectifier	J2	2-Position Terminal Strip
D4	1N5408 100V 3A Rectifier	J3	3-Pin Male PCB Connector
D5	1N4148 Switching Diode	J4	3-Pin Male PCB Connector
D6	1N4148 Switching Diode	J5	2-Pin Male PCB Connector
D7	1N752 5.6V 400mW Zener Diode	FAN1	24V 100mA DC Fan
D8	1N752 5.6V 400mW Zener Diode	JP1	3-Pin Female PCB Conn with Leads
D9	1N4148 Switching Diode	JP2	3-Pin Female PCB Conn with Leads
D10	1N4148 Switching Diode	HS1	Small Heatsink
D11	1N4004 400V 1A Rectifier	HS2	Large Heatsink
Q1	SS9014 NPN Low Noise Transistor	(4)	Small Machine Screws for Heatsinks
Q2	2SD882 NPN Medium Power Transistor	(2)	Nuts for Potentiometer Shafts
Q3	SS9015 PNP Low Noise Transistor	(2)	Washers for Potentiometer Shafts

# Schematic Diagram



(1) All voltages above measured with P1 adjusted for 10V output and P2 approximately 1/2 rotation.